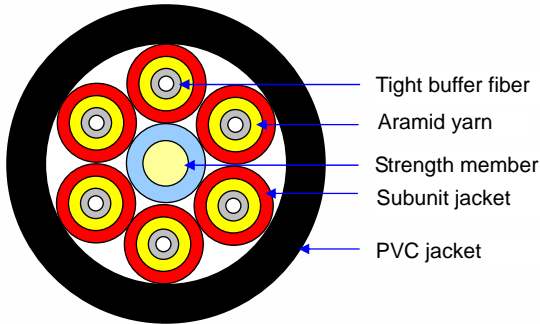




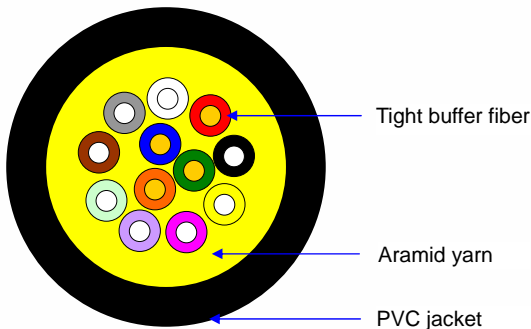
Fiber Optical Cable

Indoor Type

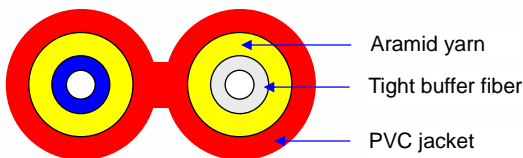
Multi Purpose Break-out Cable



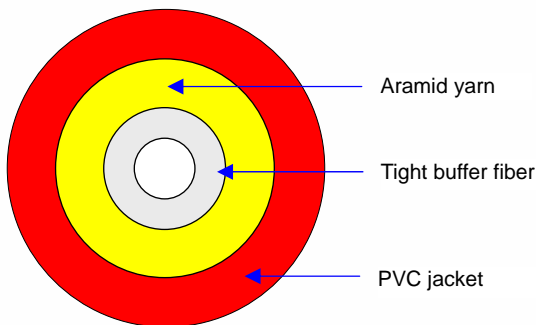
Multi Purpose Distribution Cable



2-Fiber Duplex indoor Cable



1-Fiber Simplex indoor Cable



Product Description

1. The properties of optical fibers are complied with YD/T 1258, ICEA-596, GR-409, IEC794, etc.; and meet the requirements of UL approval for OFNR.
2. Single mode (SM) and multi-mode (MM) are chosen.
3. Number of fiber is up to 12 cords.
4. Non-metallic optical fiber cable is not interfered by electromagnetism and electricity.

Application:

1. Data communication
2. Making connector
3. installation: riser, plenum, Etc.
4. Places where waterproof is not strictly required.
5. Making jumper, pigtail and building distribution.



Fiber Optical Cable

Indoor Type

Construction

| Item \ Type | Multi Purpose Break-out Cable | | | | | | Multi Purpose Distribution Cable | | | | | |
|----------------------|-------------------------------|------|------|------|------|------|----------------------------------|------|-----|-----|-----|-----|
| | 2 | 4 | 6 | 8 | 10 | 12 | 2 | 4 | 6 | 8 | 10 | 12 |
| Number of cores | 2 | 4 | 6 | 8 | 10 | 12 | 2 | 4 | 6 | 8 | 10 | 12 |
| Cable Diameter (mm) | 7.2 | 7.2 | 8.3 | 9.4 | 10.7 | 12.2 | 4.1 | 4.8 | 5.1 | 5.6 | 5.8 | 6.2 |
| Cable Weight (kg/km) | 45 | 45.2 | 62.5 | 85.9 | 109 | 140 | 11 | 18.4 | 22 | 24 | 27 | 31 |
| TBF Diameter | 900±50µm | | | | | | 900±50µm | | | | | |

| Item \ Type | 2-Fiber Duplex indoor Cable | | | 1-Fiber Simplex indoor Cable | | |
|----------------------|-----------------------------|----------|----------|------------------------------|----------|----------|
| | 6.0×2.8 | 4.2×2.0 | 3.4×1.6 | 2.8 | 2.0 | 1.6 |
| Cable Diameter (mm) | 6.0×2.8 | 4.2×2.0 | 3.4×1.6 | 2.8 | 2.0 | 1.6 |
| Cable Weight (kg/km) | 15.6 | 10.5 | 7.3 | 6.9 | 5.9 | 4.0 |
| TBF Diameter | 900±50µm | 900±50µm | 600±50µm | 900±50µm | 900±50µm | 600±50µm |

Properties

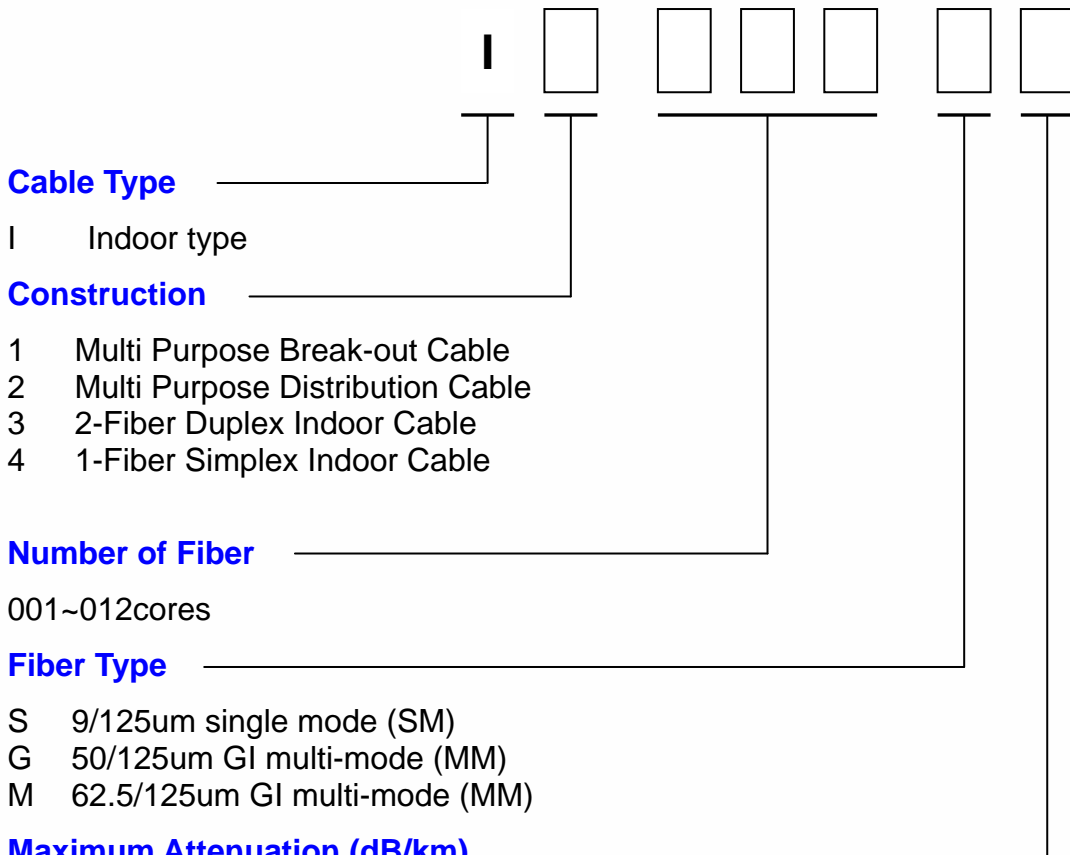
| Item \ Type | Multi Purpose Break-out Cable | Multi Purpose Distribution Cable | 2-Fiber Duplex indoor Cable | 1-Fiber Simplex indoor Cable |
|------------------------------------|------------------------------------|----------------------------------|-----------------------------|------------------------------|
| | Tensile Strength (Long/Short Term) | 200/660 N | 200/660 N | 100/200 N |
| Crush Resistance (Long/Short Term) | 300/1000 N/100m | 300/1000 N/100m | 200/1000 N/100m | 100/500 N/100m |
| Bending Radius (Static/Dynamic) | 10D/20D mm | 10D/20D mm | 10H/20H mm | 10D/20D mm |
| Attenuation(dB/km) 20°C | 3.5 (850nm) | 3.5 (850nm) | 3.5 (850nm) | 3.5 (850nm) |
| | 1.5 (1300nm) | 1.5 (1300nm) | 1.5 (1300nm) | 1.5 (1300nm) |
| Bandwidth (Class A) (MHz-km) | 200 (850nm) | 200 (850nm) | 200 (850nm) | 200 (850nm) |
| | 600 (1300nm) | 600 (1300nm) | 600 (1300nm) | 600 (1300nm) |
| Numerical Aperture | 0.275±0.015NA | 0.275±0.015NA | 0.275±0.015NA | 0.275±0.015NA |
| Operating Temperature | -20°C ~ +60°C | -20°C ~ +60°C | -20°C ~ +60°C | -20°C ~ +60°C |



Fiber Optical Cable

Indoor Type

Description of Purchase Cord



Cable Type

I Indoor type

Construction

- 1 Multi Purpose Break-out Cable
- 2 Multi Purpose Distribution Cable
- 3 2-Fiber Duplex Indoor Cable
- 4 1-Fiber Simplex Indoor Cable

Number of Fiber

001~012cores

Fiber Type

- S 9/125um single mode (SM)
- G 50/125um GI multi-mode (MM)
- M 62.5/125um GI multi-mode (MM)

Maximum Attenuation (dB/km)

SM: (1310/1550um)

- 1 0.4/0.3dB/km
- 2 0.5/0.35dB/km

50/125um GI MM: (850/1330um)

- A 3.0/1.0dB/km, Band-width > 400/800MHz-km
- C 3.5/1.2dB/km, Band-width > 400/800MHz-km

62.5/125um GI MM: (850/1330um)

- B 3.5/1.0dB/km, Band-width > 200/500MHz-km
- D 4.0/1.2dB/km, Band-width > 160/400MHz-km