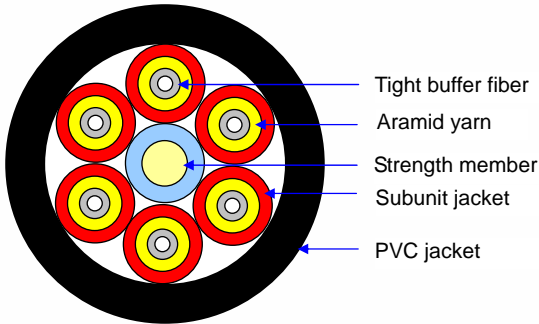




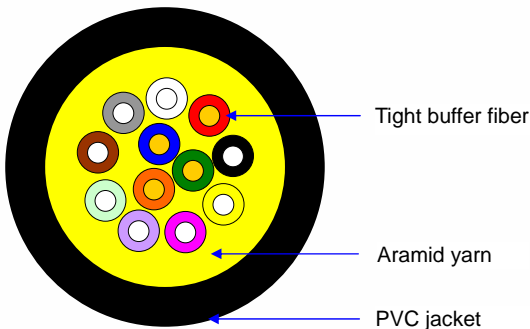
# Fiber Optical Cable

Indoor Type

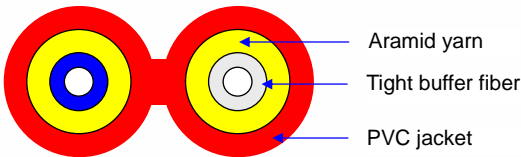
Multi Purpose Break-out Cable



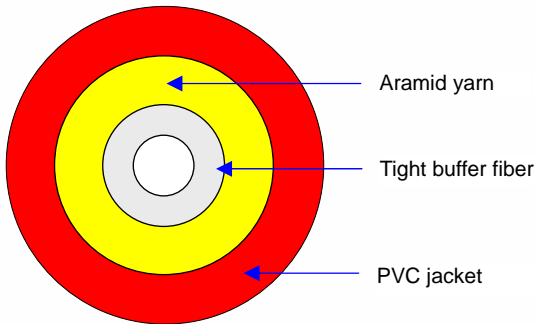
Multi Purpose Distribution Cable



2-Fiber Duplex indoor Cable



1-Fiber Simplex indoor Cable



## Product Description

1. The properties of optical fibers are complied with YD/T 1258, ICEA-596, GR-409, IEC794, etc.; and meet the requirements of UL approval for OFNR.
2. Single mode (SM) and multi-mode (MM) are chosen.
3. Number of fiber is up to 12 cords.
4. Non-metallic optical fiber cable is not interfered by electromagnetism and electricity.

## Application:

1. Data communication
2. Making connector
3. installation: riser, plenum, Etc.
4. Places where waterproof is not strictly required.
5. Making jumper, pigtail and building distribution.



# Fiber Optical Cable

**Indoor Type**

## Construction

Item \ Type	Multi Purpose Break-out Cable						Multi Purpose Distribution Cable					
	2	4	6	8	10	12	2	4	6	8	10	12
Number of cores	2	4	6	8	10	12	2	4	6	8	10	12
Cable Diameter (mm)	7.2	7.2	8.3	9.4	10.7	12.2	4.1	4.8	5.1	5.6	5.8	6.2
Cable Weight (kg/km)	45	45.2	62.5	85.9	109	140	11	18.4	22	24	27	31
TBF Diameter	900±50µm						900±50µm					

Item \ Type	2-Fiber Duplex indoor Cable			1-Fiber Simplex indoor Cable		
	6.0×2.8	4.2×2.0	3.4×1.6	2.8	2.0	1.6
Cable Diameter (mm)	6.0×2.8	4.2×2.0	3.4×1.6	2.8	2.0	1.6
Cable Weight (kg/km)	15.6	10.5	7.3	6.9	5.9	4.0
TBF Diameter	900±50µm	900±50µm	600±50µm	900±50µm	900±50µm	600±50µm

## Properties

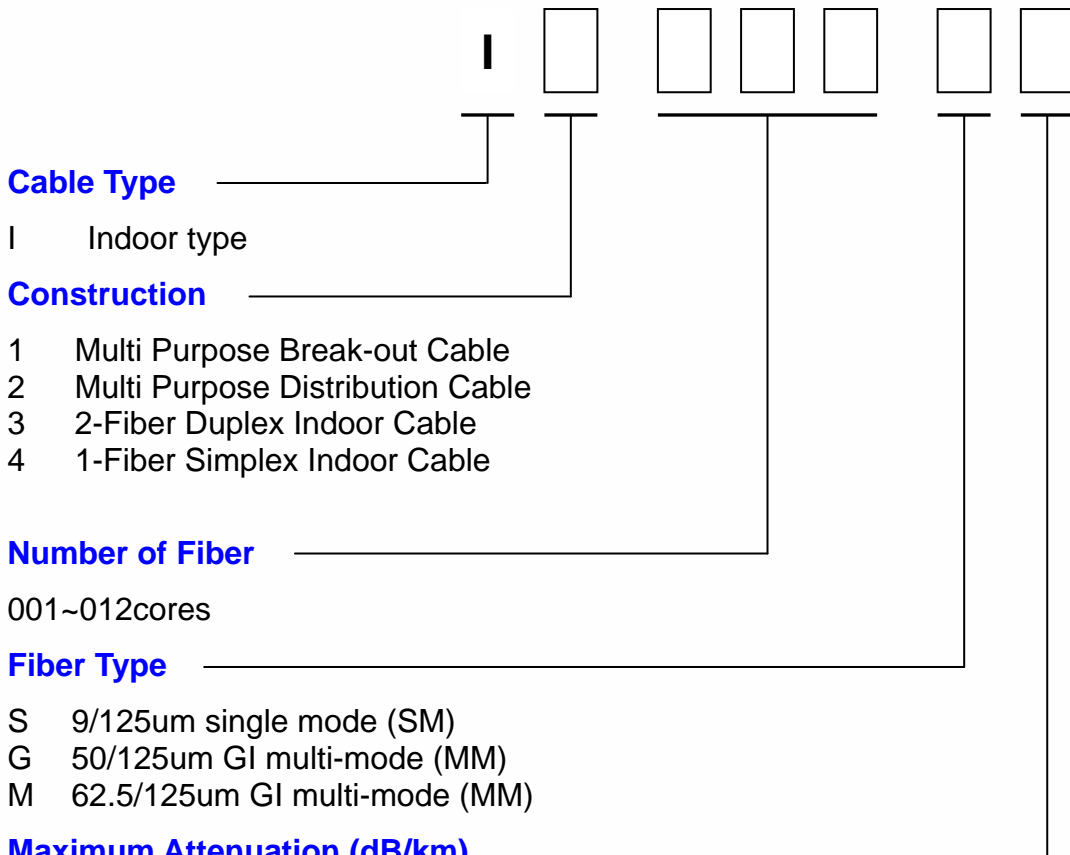
Item \ Type	Multi Purpose Break-out Cable	Multi Purpose Distribution Cable	2-Fiber Duplex indoor Cable	1-Fiber Simplex indoor Cable
	Tensile Strength (Long/Short Term)	200/660 N	200/660 N	100/200 N
Crush Resistance (Long/Short Term)	300/1000 N/100m	300/1000 N/100m	200/1000 N/100m	100/500 N/100m
Bending Radius (Static/Dynamic)	10D/20D mm	10D/20D mm	10H/20H mm	10D/20D mm
Attenuation(dB/km) 20°C	3.5 (850nm)	3.5 (850nm)	3.5 (850nm)	3.5 (850nm)
	1.5 (1300nm)	1.5 (1300nm)	1.5 (1300nm)	1.5 (1300nm)
Bandwidth (Class A) (MHz-km)	200 (850nm)	200 (850nm)	200 (850nm)	200 (850nm)
	600 (1300nm)	600 (1300nm)	600 (1300nm)	600 (1300nm)
Numerical Aperture	0.275±0.015NA	0.275±0.015NA	0.275±0.015NA	0.275±0.015NA
Operating Temperature	-20°C ~ +60°C	-20°C ~ +60°C	-20°C ~ +60°C	-20°C ~ +60°C



# Fiber Optical Cable

**Indoor Type**

## Description of Purchase Cord



**Cable Type**

I Indoor type

**Construction**

- 1 Multi Purpose Break-out Cable
- 2 Multi Purpose Distribution Cable
- 3 2-Fiber Duplex Indoor Cable
- 4 1-Fiber Simplex Indoor Cable

**Number of Fiber**

001~012cores

**Fiber Type**

- S 9/125um single mode (SM)
- G 50/125um GI multi-mode (MM)
- M 62.5/125um GI multi-mode (MM)

**Maximum Attenuation (dB/km)**

**SM: (1310/1550um)**

- 1 0.4/0.3dB/km
- 2 0.5/0.35dB/km

**50/125um GI MM: (850/1330um)**

- A 3.0/1.0dB/km, Band-width > 400/800MHz-km
- C 3.5/1.2dB/km, Band-width > 400/800MHz-km

**62.5/125um GI MM: (850/1330um)**

- B 3.5/1.0dB/km, Band-width > 200/500MHz-km
- D 4.0/1.2dB/km, Band-width > 160/400MHz-km