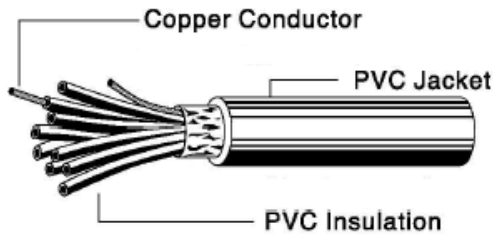
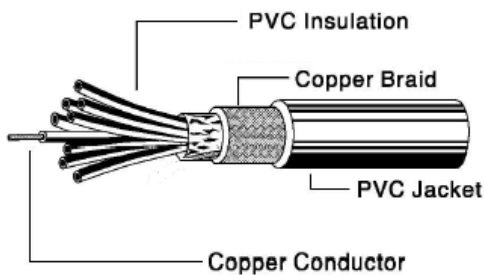


Super Flexible & Oil Resistance Robot Cable for 300V(PVC-PVC)

General Type



Braid Shield Type



Recommended Application:

Cable tracks
Gantry robots
Pick and place units
Conveyor systems
Machine tools
Automated handing equipment
Continuous flexing applications



Product Description

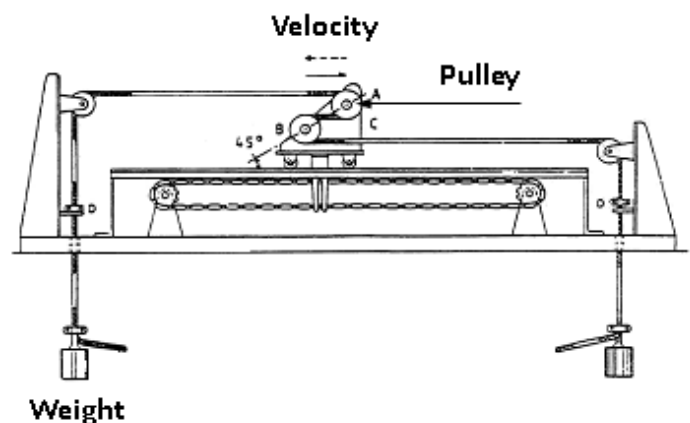
SINYU introduce the Super Flexible Oil Resistance [SFOR] multi-conductor control cable, suitable for continuous flex applications in the cable tracks, robots, machine tools and automated equipment applications. Long terms in-site test results shows that this cable is ultra durable withstand in mineral oils and diesel oils complex harsh working environment. Conform to UL, CSA and VDE oil resistance standards.

Properties

- Cable Flexing Test**(as following):
7.5R is over 1 million times
15R is over 8 million times
- Min. bending radius: 7.5x cable diameter
- Oil resistance:
 - ✓ UL, In oil for 60 days @ 80°C
(65% Un-aged Tensile Strength & Elongation)
 - ✓ CSA, In oil for 60 days @ 80°C
(65% Un-aged Tensile Strength & Elongation)
 - ✓ VDE, In oil for 7 days @ 90°C
(±25% Un-aged Tensile Strength & Elongation)
- Conductor: Bare or Tinned stranded copper
- Insulation and Jacket: PVC
- Shielding: Tinned copper wire braiding
- Rating: 105°C, 300V
- Flammability test: VW-1, FT1
- Comply with **UL 2517**
- Comply with **RoHS**

Cable Flexing Test

All specimens pass the "1 million" test cycles.
Min. bending radius: 7.5x cable diameter
Velocity: 0.33m/sec
Stroke: 1 meter
Suitable current loaded



Super Flexible & Oil Resistance Robot Cable for 300V(PVC-PVC)

General Type

Ordering #	Conductor		Core#	Cable OD	Est. Weight
	Cross-section	No. /mm		mm	Kg /100M
SFOR-G2802	28AWG (0.09mm ²)	19 /0.08	2	3.6	1.7
SFOR-G2803			3	3.8	2.0
SFOR-G2804			4	4.0	2.2
SFOR-G2805			5	4.3	2.6
SFOR-G2806			6	4.5	2.9
SFOR-G2807			7	5.0	3.6
SFOR-G2808			8	5.3	4.0
SFOR-G2810			10	5.6	4.6
SFOR-G2812			12	5.8	5.0
SFOR-G2816			16	6.3	6.0
SFOR-G2824			24	7.6	8.8
SFOR-G2830			30	8.5	11.1
SFOR-G2602			26AWG (0.15mm ²)	30 /0.08	2
SFOR-G2603	3	4.0			2.3
SFOR-G2604	4	4.3			2.7
SFOR-G2605	5	4.5			3.1
SFOR-G2606	6	5.0			3.8
SFOR-G2607	7	5.4			4.4
SFOR-G2608	8	5.7			4.9
SFOR-G2610	10	6.0			5.6
SFOR-G2612	12	6.2			6.1
SFOR-G2616	16	6.7			7.4
SFOR-G2624	24	8.2			11.0
SFOR-G2630	30	9.6			14.8
SFOR-G2402	24AWG (0.2mm ²)	40 /0.08			2
SFOR-G2403			3	4.2	2.6
SFOR-G2404			4	4.5	3.1
SFOR-G2405			5	5.0	3.8
SFOR-G2406			6	5.3	4.4
SFOR-G2407			7	5.7	5.1
SFOR-G2408			8	6.0	5.6
SFOR-G2410			10	6.4	6.6
SFOR-G2412			12	6.6	7.2
SFOR-G2416			16	7.4	9.2
SFOR-G2424			24	8.8	13.2
SFOR-G2430			30	10.3	17.6

Super Flexible & Oil Resistance Robot Cable for 300V(PVC-PVC)

Ordering #	Conductor		Core#	Cable OD	Est. Weight
	Cross-section	No. /mm		mm	Kg /100M
SFOR-G2302	23AWG (0.25mm ²)	50 /0.08	2	4.4	2.8
SFOR-G2303			3	4.6	3.2
SFOR-G2304			4	5.1	4.0
SFOR-G2305			5	5.5	4.7
SFOR-G2306			6	5.9	5.4
SFOR-G2307			7	6.3	6.2
SFOR-G2308			8	6.7	7.0
SFOR-G2310			10	7.4	8.6
SFOR-G2312			12	7.7	9.5
SFOR-G2316			16	8.3	11.6
SFOR-G2324			24	10.4	17.9
SFOR-G2330			30	12.1	23.7
SFOR-G2202			22AWG (0.3mm ²)	60 /0.08	2
SFOR-G2203	3	5.1			3.9
SFOR-G2204	4	5.4			4.5
SFOR-G2205	5	5.8			5.3
SFOR-G2206	6	6.2			6.1
SFOR-G2207	7	6.7			7.1
SFOR-G2208	8	7.3			8.4
SFOR-G2210	10	7.8			9.8
SFOR-G2212	12	8.1			10.8
SFOR-G2216	16	8.8			13.2
SFOR-G2224	24	10.9			20.1
SFOR-G2230	30	12.8			27.0

Super Flexible & Oil Resistance Robot Cable for 300V(PVC-PVC)

General Type (with Braid Shield)

Ordering #	Conductor		Core#	Cable OD	Est. Weight
	mm ²	No. /mm		mm	Kg /100M
SFOR-GB2802	28AWG (0.09mm ²)	19 /0.08	2	4.2	2.61
SFOR-GB2803			3	4.4	2.87
SFOR-GB2804			4	4.6	3.14
SFOR-GB2805			5	4.9	3.87
SFOR-GB2806			6	5.1	4.15
SFOR-GB2807			7	5.6	4.63
SFOR-GB2808			8	5.9	5.02
SFOR-GB2810			10	6.2	5.52
SFOR-GB2812			12	6.4	6.21
SFOR-GB2816			16	6.9	7.18
SFOR-GB2824			24	8.2	9.83
SFOR-GB2832			30	9.1	11.63
SFOR-GB2602	26AWG (0.15mm ²)	30 /0.08	2	4.4	2.84
SFOR-GB2603			3	4.6	3.17
SFOR-GB2604			4	4.9	3.95
SFOR-GB2605			5	5.1	4.29
SFOR-GB2606			6	5.6	4.85
SFOR-GB2607			7	6.0	5.32
SFOR-GB2608			8	6.3	5.87
SFOR-GB2610			10	6.6	6.54
SFOR-GB2612			12	6.8	7.20
SFOR-GB2616			16	7.3	9.03
SFOR-GB2624			24	8.8	11.95
SFOR-GB2630			30	10.2	15.21
SFOR-GB2402	24AWG (0.2mm ²)	40 /0.08	2	4.6	3.07
SFOR-GB2403			3	4.8	3.85
SFOR-GB2404			4	5.1	4.31
SFOR-GB2405			5	5.6	4.80
SFOR-GB2406			6	5.9	5.40
SFOR-GB2407			7	6.3	6.08
SFOR-GB2408			8	6.6	6.57
SFOR-GB2410			10	7.0	7.84
SFOR-GB2412			12	7.2	8.56
SFOR-GB2416			16	8.0	10.38
SFOR-GB2424			24	9.4	14.90
SFOR-GB2430			30	10.9	17.80

Super Flexible & Oil Resistance Robot Cable for 300V(PVC-PVC)

Ordering #	Conductor		Core#	Cable OD	Est. Weight		
	mm ²	No. /mm		mm	Kg /100M		
SFOR-GB2302	23AWG (0.25mm ²)	50 /0.08	2	5.2	3.86		
SFOR-GB2303			3	5.5	4.44		
SFOR-GB2304			4	5.8	5.13		
SFOR-GB2305			5	6.2	5.84		
SFOR-GB2306			6	6.5	6.53		
SFOR-GB2307			7	6.9	7.25		
SFOR-GB2308			8	7.5	8.41		
SFOR-GB2310			10	8.0	9.57		
SFOR-GB2312			12	8.3	10.64		
SFOR-GB2316			16	9.0	12.85		
SFOR-GB2324			24	11.0	18.61		
SFOR-GB2330			30	12.7	23.36		
SFOR-GB2202			22AWG (0.3mm ²)	60 /0.08	2	5.2	4.12
SFOR-GB2203					3	5.7	4.89
SFOR-GB2204	4	6.0			5.56		
SFOR-GB2205	5	6.4			6.40		
SFOR-GB2206	6	6.8			7.14		
SFOR-GB2207	7	7.3			8.40		
SFOR-GB2208	8	7.9			9.22		
SFOR-GB2210	10	8.4			10.57		
SFOR-GB2212	12	8.7			11.83		
SFOR-GB2216	16	9.4			15.26		
SFOR-GB2224	24	11.5			20.61		
SFOR-GB2230	30	13.4			26.22		

Super Flexible & Oil Resistance Robot Cable for 300V(PVC-PVC)

Pair Type (with Braid Shield)

Ordering #	Conductor		Pair #	Cable OD	Est. Weight
	mm ²	No. /mm		mm	Kg /100M
SFOR-PB2802	28AWG (0.09mm ²)	19 /0.08	2	5.5	3.92
SFOR-PB2803			3	5.9	4.71
SFOR-PB2804			4	6.3	5.35
SFOR-PB2805			5	6.9	6.12
SFOR-PB2806			6	7.4	7.10
SFOR-PB2808			8	7.9	8.30
SFOR-PB2810			10	8.8	9.65
SFOR-PB2812			12	9.7	11.83
SFOR-PB2815			15	10.2	13.25
SFOR-PB2602			26AWG (0.15mm ²)	30 /0.08	2
SFOR-PB2603	3	6.3			5.40
SFOR-PB2604	4	6.7			6.23
SFOR-PB2605	5	7.5			7.39
SFOR-PB2606	6	7.9			8.44
SFOR-PB2608	8	8.5			9.88
SFOR-PB2610	10	9.8			12.46
SFOR-PB2612	12	10.4			14.12
SFOR-PB2615	15	11.0			15.93
SFOR-PB2402	24AWG (0.2mm ²)	40 /0.08			2
SFOR-PB2403			3	6.7	5.98
SFOR-PB2404			4	7.3	7.29
SFOR-PB2405			5	8.0	8.71
SFOR-PB2406			6	8.4	9.48
SFOR-PB2408			8	9.1	11.47
SFOR-PB2410			10	10.5	14.43
SFOR-PB2412			12	11.1	16.23
SFOR-PB2415			15	12.2	19.78
SFOR-PB2302			23AWG (0.25mm ²)	50 /0.08	2
SFOR-PB2303	3	7.6			7.57
SFOR-PB2304	4	8.1			8.86
SFOR-PB2305	5	9.0			10.43
SFOR-PB2306	6	9.9			12.56
SFOR-PB2308	8	10.6			14.87
SFOR-PB2310	10	12.2			18.84
SFOR-PB2312	12	13.0			21.25
SFOR-PB2315	15	13.7			24.50
SFOR-PB2202	22AWG (0.3mm ²)	60 /0.08			2
SFOR-PB2203			3	8.0	8.27
SFOR-PB2204			4	8.5	9.66
SFOR-PB2205			5	9.8	12.29
SFOR-PB2206			6	10.4	14.05
SFOR-PB2208			8	11.2	16.59
SFOR-PB2210			10	12.9	20.92
SFOR-PB2212			12	13.7	23.57
SFOR-PB2215			15	14.9	28.84